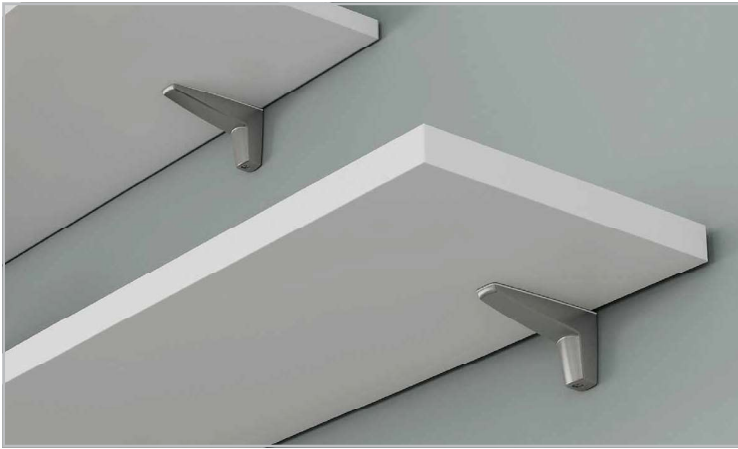


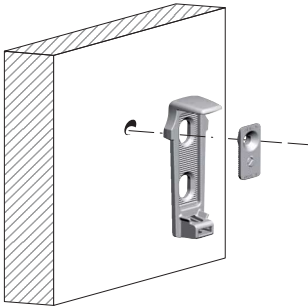
MOON



15-50 mm

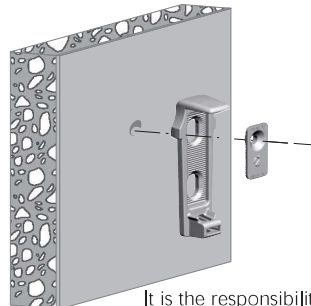
50 kg for pair for shelf 320 mm deep

WOOD PANEL



Recommended fixing countersunk screw type - head \varnothing 4 mm max.

SOLID AND PLASTERBOARD WALLS

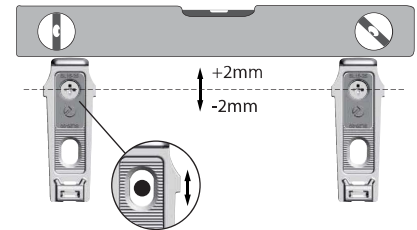


It is the responsibility of the customer:

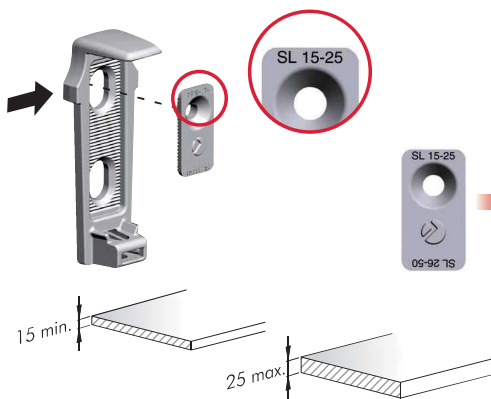
- to ensure that the wall is of a suitable quality to hold the shelf fixing in place.
- to use the proper hardware fittings according to the construction of the wall.

For more specific information, please refer to the WARNINGS section at the end of the catalogue.

BRACKET ALIGNMENT

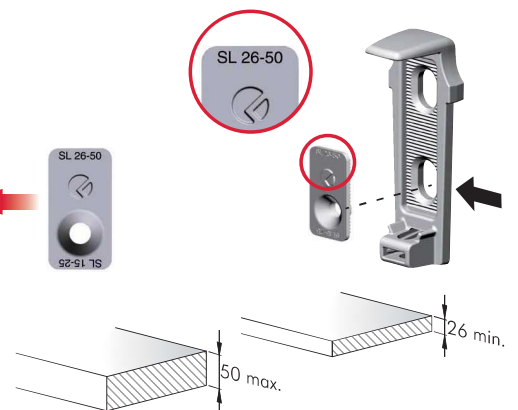


For shelves 15 - 25 mm thick:

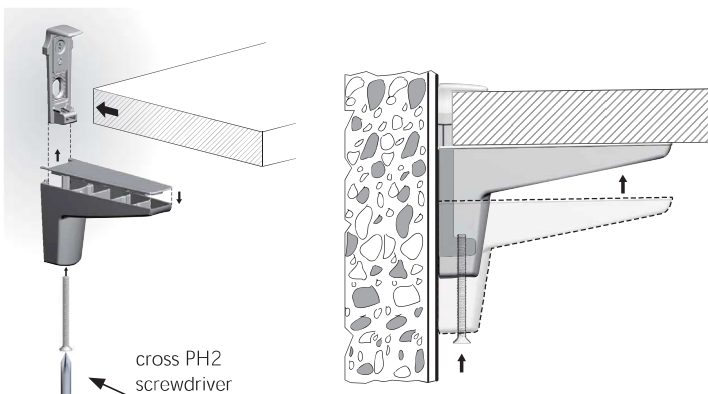


Place the plate in the correct position, according to shelf thickness.

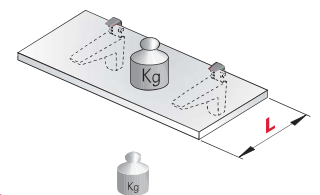
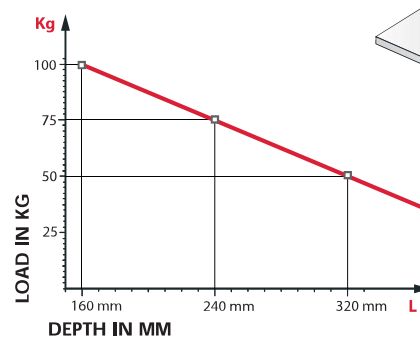
For shelves 26 - 50 mm thick:



SHELF LOCKING



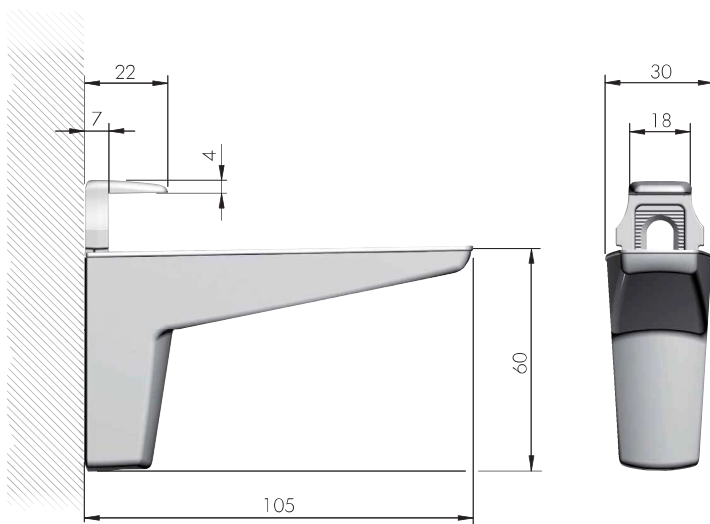
COMBINATION SHELF LOAD AND SHELF DEPTH (The figures refer to one pair of shelf supports)



+ shelf weight = 50 kg
MAX for each pair of
shelf supports



POSITION OF THE RIDGE PLATE FOR SHELVES WITH 15 - 25 mm AND 26 - 50 mm THICKNESS



	= PH2	
	= 24 pairs	
16226010UZ		
16226010EC		
16226010KB		

NOTE: MOON is supplied in carton box including 2 pieces, accessories and fitting guide. Fixing screws to wall not included.

